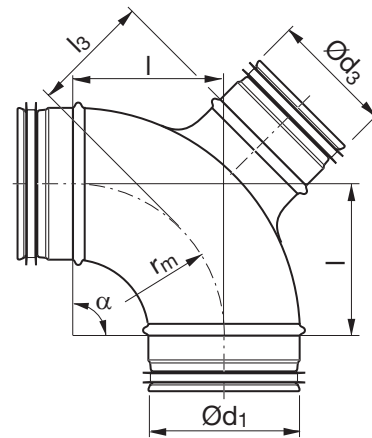


Cleaning bend

BBKCU 90°



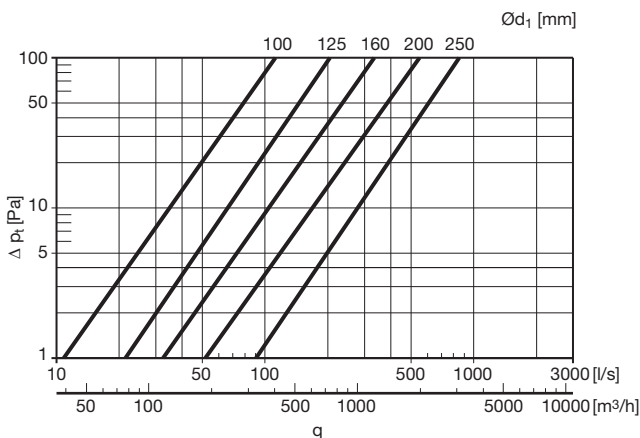
Dimensions



$r_m \approx 1 \cdot d_1$

Description

Pressed and seam welded bend with separate branch for cleaning. The stud is fitted with a Safe take-off and fits an inspection cap.



The graph applies to a cleaning bend with cleaning cap EPFH and with the same dimension of take-off and main duct ($\text{Ø}d_3 = \text{Ø}d_1$).

The pressure drop is about 30% lower for cleaning cap KCU and $\text{Ø}d_3 = \text{Ø}d_1$.

The pressure drop is about 30% lower for cleaning cap EPFH and one step smaller take-off dimension ($\text{Ø}d_3 < \text{Ø}d_1$).

The pressure drop is about 50% lower for cleaning cap KCU and one step smaller take-off dimension ($\text{Ø}d_3 < \text{Ø}d_1$).

$\text{Ø}d_1$ nom	$\text{Ø}d_3$ nom	l mm	l ₃ mm	m kg
100	100	100	75	0,42
112	100	120	78	0,51
125	100	125	78	0,58
125	125	125	83	0,58
140	125	135	90	0,75
150	125	150	90	0,77
160	125	160	100	0,97
160	160	160	105	0,96
180	160	180	108	1,20
200	160	200	125	1,24
200	200	200	125	1,29
224	200	225	128	1,67
250	200	250	150	2,02
250	250	250	150	2,12

Ordering example

