

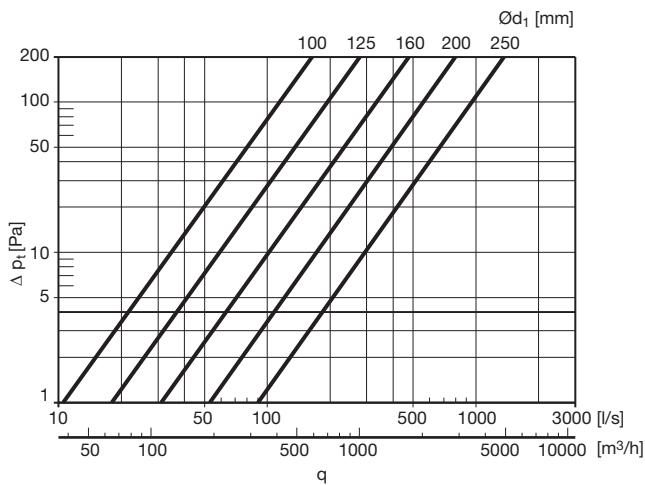
Cleaning bend

BKCU 90°



Description

Pressed and seam welded bend with separate branch for cleaning. The stud is fitted with a Safe take-off and fits an inspection cap. The design gives a lower pressure drop than the equivalent design using a T-piece. The stud can also be used as the connection for an SR duct.

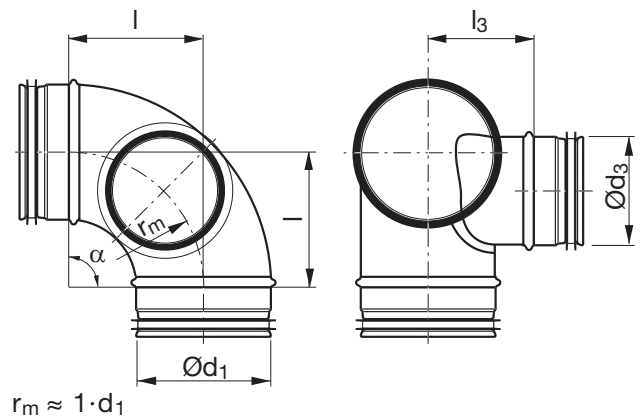


The graph applies to a cleaning bend with cleaning cap. Pressure drop is independent of take-off dimension ($\text{Ød}_3 \leq \text{Ød}_1$).

Ordering example

Product	BKCU	200	160
Dimension Ød_1			
Dimension Ød_3			

Dimensions



Ød_1 nom	Ød_3 nom	l mm	l ₃ mm	m kg
100	100	100	75	0,41
112	100	120	85	0,50
125	100	125	90	0,59
125	125	125	90	0,66
140	125	135	100	0,75
150	125	150	105	0,78
160	125	160	110	0,97
160	160	160	110	0,97
180	160	180	120	1,18
200	160	200	130	1,24
200	200	200	130	1,28
224	200	225	140	1,57
250	200	250	155	1,93
250	250	250	150	2,01

- 1
- 2
- 3
- 4
- 5
- 6
- 7
- 8
- 9
- 10
- 11
- 12
- 13
- 14
- 15
- 16
- 17
- 18