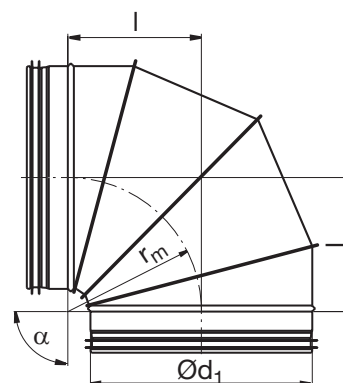


# Bend – short, lockseamed

# BKFU 90°



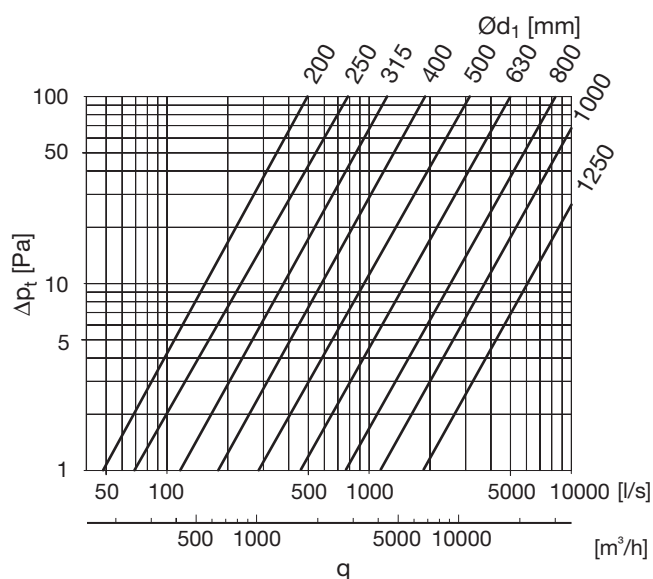
## Dimensions



$$r_m \approx 0,6 \cdot d_1$$

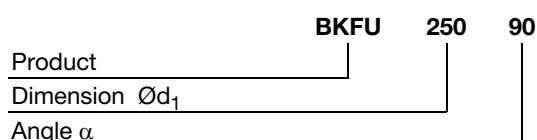
## Description

Segmented and lockseamed bend with short installation length.



$\text{O}_{d_1}$ nom	l mm	m kg
200	158	1,18
250	180	1,64
315	220	2,49
400	255	3,61
500	315	6,30
630	397	9,45
800	470	18,0
1000	570	26,9
1250	695	38,8

## Ordering example



- 1
- 2
- 3
- 4
- 5
- 6
- 7
- 8
- 9
- 10
- 11
- 12
- 13
- 14
- 15
- 16
- 17
- 18