

# Bend – Casting-in programme

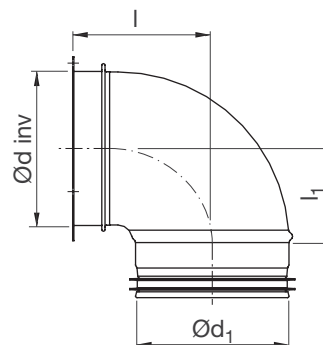
BU



## Description

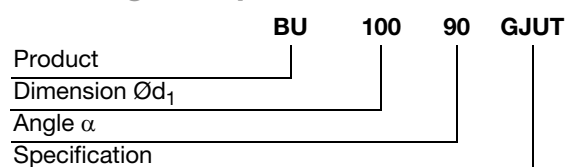
Short installation length with female end and nail flange with pre-punched holes.

## Dimensions



Ød <sub>1</sub> nom	Ød nom	l mm	l <sub>1</sub> mm	m kg
80	80	101	80	0,26
100	100	93	62	0,24
125	125	106	79	0,32
160	160	130	94	0,43

## Ordering example



- 1
- 2
- 3
- 4
- 5
- 6
- 7
- 8
- 9
- 10
- 11
- 12
- 13
- 14
- 15
- 16
- 17
- 18