

# Collar

# LAR

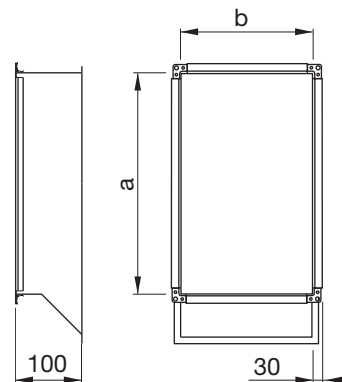


## Description

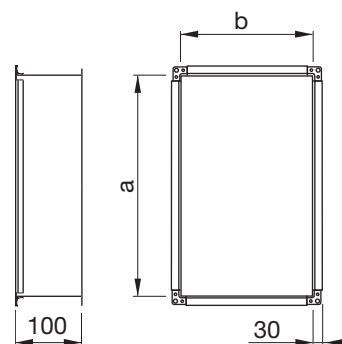
The collar is used for connection to rectangular duct. The smaller joint end is provided with joining profiles type RJFP. The larger one has an edge, for fixing with blind rivets or self-tapping screws, but can also be given a folding tab to facilitate assembly.

## Dimensions

Sloping design: FAS



Straight design: RAK



## Ordering example

		LAR	500	300	100	FAS
Product						
Form side	a					
Curved side	b					
Length						
Design	sloping	FAS *				
	straight	RAK				

\*FAS can only be selected if the length is 50 mm or more.

- 1
- 2
- 3
- 4
- 5
- 6
- 7
- 8
- 9
- 10
- 11
- 12
- 13
- 14
- 15
- 16
- 17
- 18