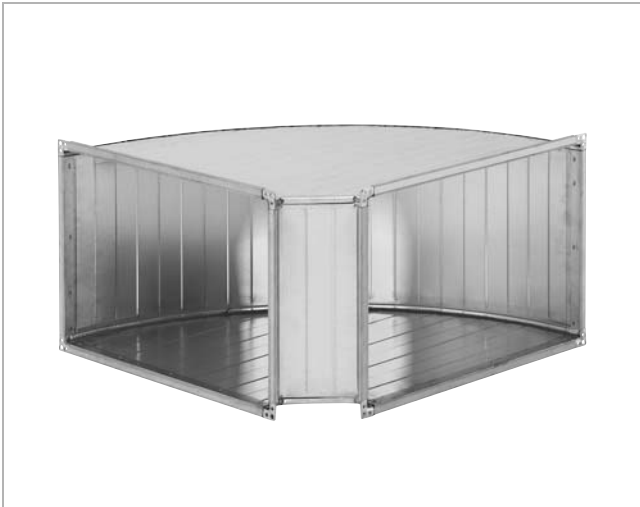


Bend

LBXR



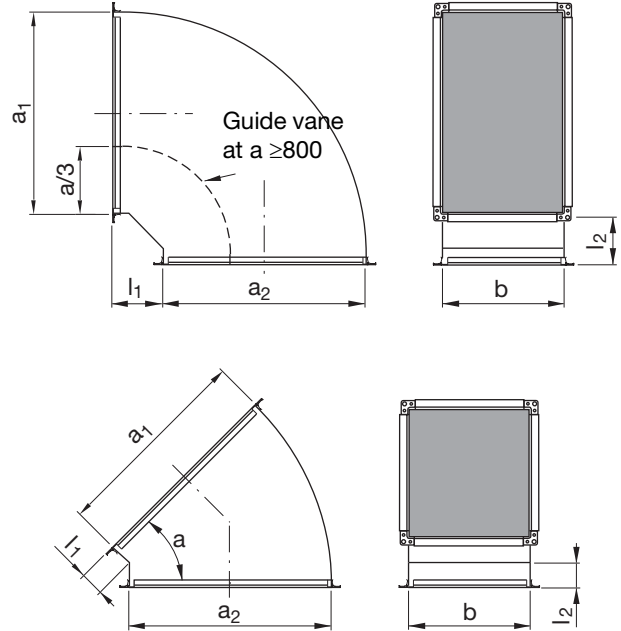
Description

Bend with rounded outer corner, stiffened with trapezoid corrugations.

The bend is delivered with 90° or 45° angles and joining profiles type RJFP at both ends. Other leg lengths and angles can also be ordered.

Standard design $l_1 = l_2 = 125$ mm.

Dimensions



Ordering example

	LBXR	500	300	500	90	125	125
Product							
Form side	a_1						
Curved side	b						
Form side	a_2						
Angle	α						
Leg length	l_1						
Leg length	l_2						

- 1
- 2
- 3
- 4
- 5
- 6
- 7
- 8
- 9
- 10
- 11
- 12
- 13
- 14
- 15
- 16
- 17
- 18