

Taper

LDR



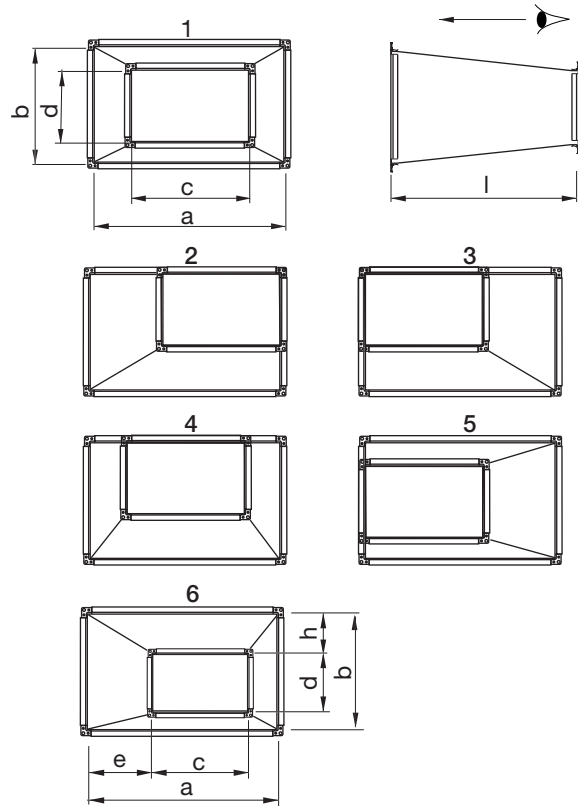
Description

The taper is used as transition between different duct dimensions. The larger dimensions are available with offsets as in the coded sketches.

Dimension changes have a joining profile type RJFP at both ends, and are stiffened by trapezoid corrugations.

Measures e and h only need to be given for alternative 6. Negative values for e, for example, mean that e is outside side a.

Dimensions



Ordering example

	LDR	500	300	300	200	1	450
Product									
Large end	a								
Large end	b								
Small end	c								
Small end	d								
The alternative displacement- 1 – 6									
alternatives are seen from the cxd end									
Length	l								
Displacement	e								(Only at alternative 6.)
Displacement	h								(Only at alternative 6.)

a mm	l std mm
100	300
150	300
200	300
250	300
300	300
350	300
400	450
450	450
500	450
600	450
700	450
800	600
900	600
1000	600
1100	600
1200	600
1300	600
1400	600
1500	600
1600	600
1800	600
2000	600