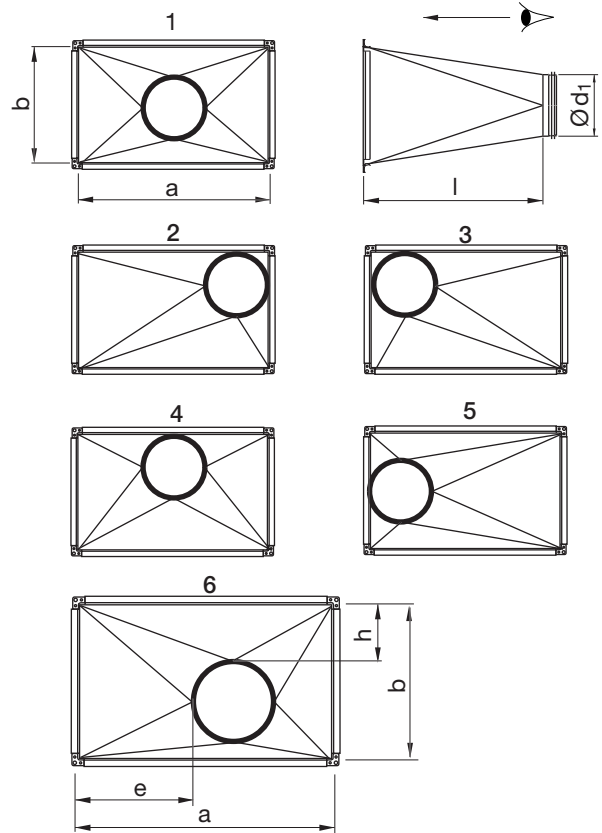


Rect-to-round transition

LORU



Dimensions



Description

Rect-to-round transition are used between rectangular and circular ducts. The rectangular connection has joining profiles type RJFP and the circular connection has Safe seal. The rectangular connection is available with offsets as in the coded sketches.

Measures e and h only need to be given for alternative 6. Negative values for e, for example, mean that e is outside side a.

The Rect-to-round transition LORU can also be manufactured with other designs of the circular connection. It then changes name as follows:

- LORNP: Transition with male coupling (without gasket)
- LORMF: Transition with female coupling
- LORFL: Transition with flange coupling

Ordering example

Product	LORU	500	300	160	450	1
Largest side	a							
Smallest side	b							
Diameter	Ød ₁							
Length	l							
The alternative displacements are seen from the circular end 1 - 6								
Displacement	e							(Only at alternative 6.)
Displacement	h							(Only at alternative 6.)

a mm	l std mm
100	300
150	300
200	300
250	300
300	300
350	300
400	450
450	450
500	450
600	450
700	450
800	600
900	600
1000	600
1100	600
1200	600
1300	600
1400	600
1500	600
1600	600
1800	600
2000	600