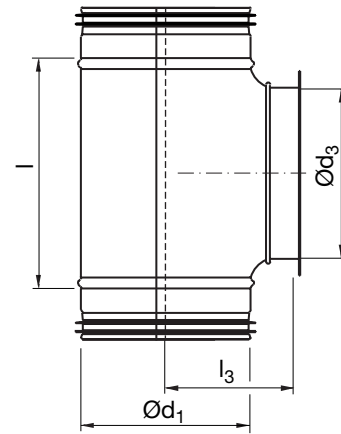


T-piece – Casting-in programme

TCPU



Dimensions



Description

Short branch with female end and nail flange with pre-punched holes.

Ød ₁ nom	Ød ₃ nom	l mm	l ₃ mm	m kg
80 *	80	140	80	0,38
100	100	130	93	0,30
125	100	130	106	0,50
125	125	165	102	0,59
160	160	209	130	0,88

* Made with saddle PS

Ordering example

