

T-piece – Casting-in programme

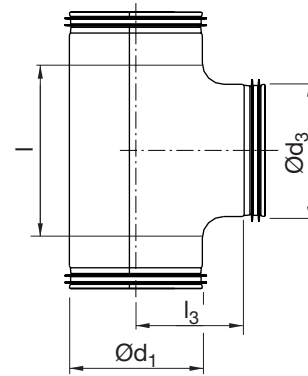
TCPU



Description

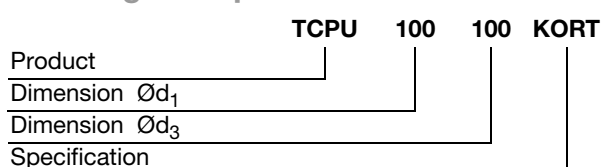
Short branch and short installation lengths.

Dimensions



Ød ₁ nom	Ød ₃ nom	l mm	l ₃ mm	m kg
100	100	123	65	0,31
125	125	157	83	0,43
160	160	203	105	0,62

Ordering example



- 1
- 2
- 3
- 4
- 5
- 6
- 7
- 8
- 9
- 10
- 11
- 12
- 13
- 14
- 15
- 16
- 17
- 18